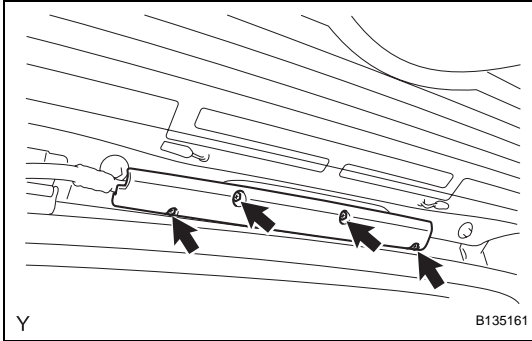


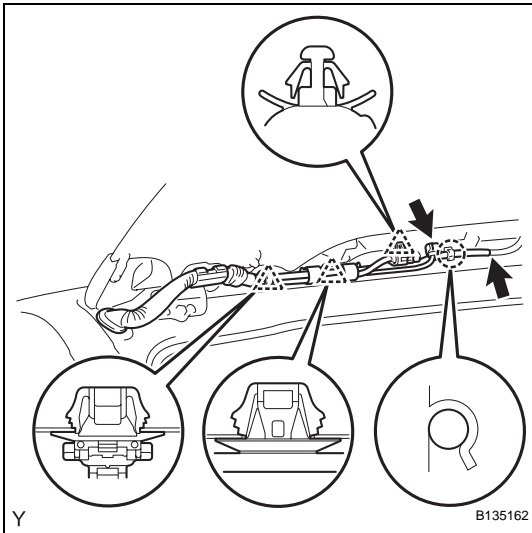
REMOVAL

1. **DISCONNECT CABLE FROM NEGATIVE BATTERY TERMINAL**



2. **REMOVE REAR SPOILER COVER**

(a) Remove the 4 screws and the rear spoiler cover.



3. **REMOVE REAR SPOILER**

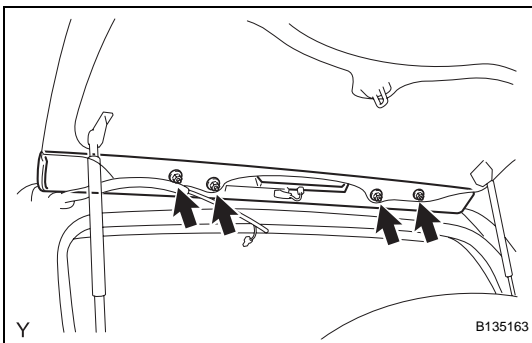
(a) Disconnect high mounted stop light connector.

(b) Using a clip remover, remove the 3 clamps.

(c) Remove the washer hose from the claw of the rear spoiler.

(d) Disconnect the washer hose.

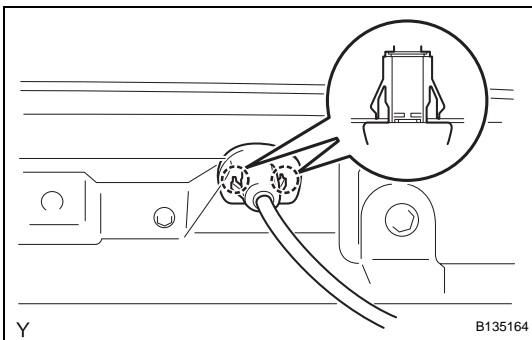
(e) Remove the 4 nuts.

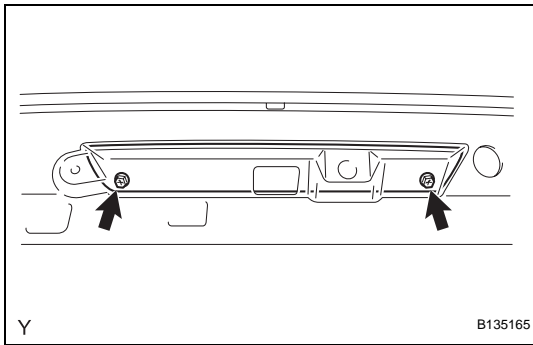


DISASSEMBLY

1. **REMOVE REAR WASHER NOZZLE (w/ Rear Wiper)**

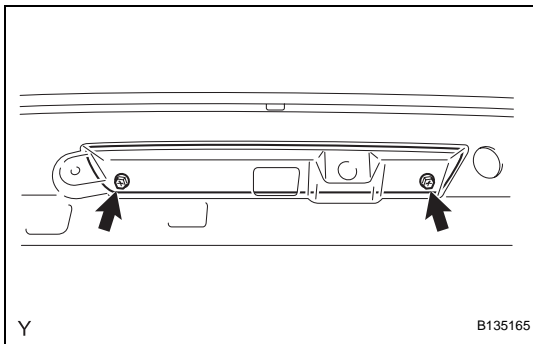
(a) Disengage the 2 claws and remove the rear washer nozzle.





2. REMOVE HIGH MOUNTED STOP LIGHT ASSEMBLY

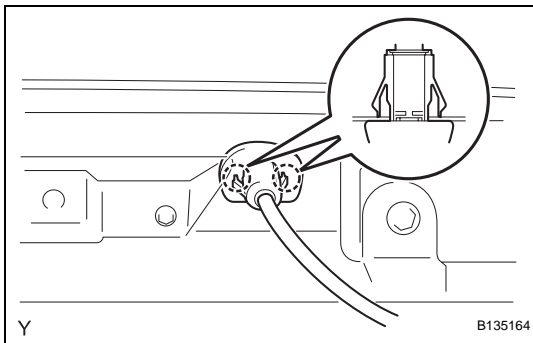
- (a) Remove the 2 screws and the high mounted stop light.



REASSEMBLY

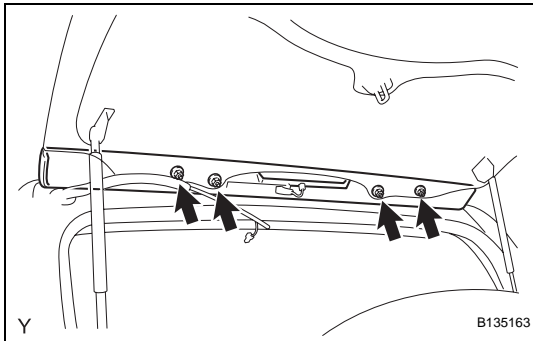
1. INSTALL HIGH MOUNTED STOP LIGHT ASSEMBLY

- (a) Install the high mounted stop light with the 2 screws.



2. INSTALL REAR WASHER NOZZLE (w/ Rear Wiper)

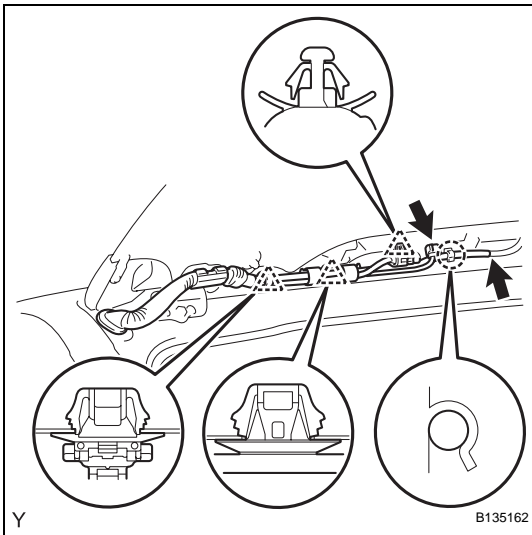
- (a) Engage the 2 claws and install the rear washer nozzle.



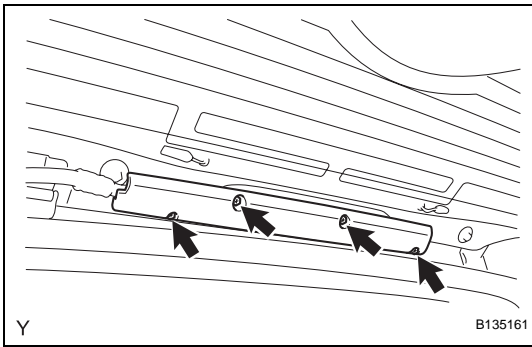
INSTALLATION

1. INSTALL REAR SPOILER

- (a) Install the rear spoiler with the 4 nuts.



- (b) w/ Rear Wiper:
 - (1) Connect the washer hose.
- (c) Install the washer hose into the claw of the rear spoiler.
- (d) Install the 3 clamps.
- (e) Connect the high mounted stop light connector.



2. INSTALL REAR SPOILER COVER

- (a) Install the rear spoiler cover with the 4 screws.
Torque: 3.0 N*m (30 kgf*cm, 27 in.*lbf)

3. CONNECT CABLE TO NEGATIVE BATTERY TERMINAL

- Torque: 3.9 N*m (40 kgf*cm, 35 in.*lbf)**